

# TELESCOPIC



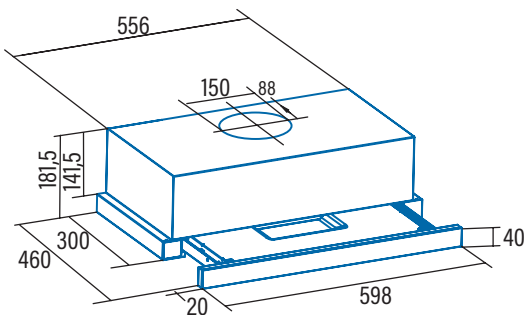
**TFH 6430 GWH**  
Cod. **02010008** EAN **8422248105736**



- Touch Control Panel** with digital display, automatic shut-down timer and cleaning filters indicator
- 4 extraction levels, 3 + 1 **TURBO**
- Extraction power (according to UNE/EN 61591): **395m<sup>3</sup>/h** - 120m<sup>3</sup>/h
- Sound power (Reg.(EU) n°65/2014): 45dB(A)**, maximum: 57dB(A)
- BRUSHLESS motor. Extra silent. Maximum energy consumption **55W**
- High efficiency Strip Led lighting adjustable intensity**
- Easy-to-install system
- Stainless steel base and panelled filters washable in dishwasher**
- Finished in white / black / stainless steel
- Max. Pressure: 362 Pa
- 150/125 mm Outlet diameter
- Energy Class: A+**

► **Accessories (not included)**

Active charcoal filter .....Cod. 02859394 / EAN 8422248038782.....  
Check valve .....Cod. 02832004 / EAN 8422248480499 .....



<b>Code</b>	<b>02010008</b>
<b>EAN</b>	<b>8422248105736</b>
<b>Model</b>	<b>TFH 6430 GWH</b>
<b>Type</b>	Telescopic
<b>Product fiche according to directives EU65/2014 - EN61591, EN60704-2-13, EN50564</b>	
AEC (Annual Energy consumption) (kWh/annum)	21,6
EEL class (Energy Efficiency Class)	A+
FDE (Fluid Dynamic Efficiency)	30,4
FDE class (Fluid Dynamic Efficiency Class)	A
LE (Lighting Efficiency) (lux/W)	27
LE class (Lighting Efficiency Class)	B
GFE (Grease Filtering Efficiency)	60
GFE Class (Grease Filtering Efficiency class)	E
Air flow at minimum speed (m3/h)	120
Air flow at maximum speed (m3/h)	274,1
Air flow at intensive speed (TURBO) (m3/h)	395
Sound Power Level at minimum speed (dB)	45
Sound Power Level at maximum speed (dB)	57
Sound Power Level at intensive speed (TURBO) (dB)	70
Po (Power Consumption in off mode) (W)	0,3
Ps (Power Consumption in standby) (W)	-
<b>Integration directive EU 66/2014</b>	
f (Time Increase Factor)	0,9
EEL (Energy Efficiency Index)	44,2
QBEP (Flow Rate at Best Efficiency Point) (m3/h)	234,6
PBEP (Static Pressure Difference at Best Efficiency Point) (Pa)	266
WBEP (Electric Power Input at Best Efficiency Point) (W)	57
WL (Nominal Power Consumption of Lighting system) (W)	4
EMIDDLE (Average Illumination of Lighting system on Cooking surface) (lux)	108
<b>External Dimensions</b>	
Width (mm)	600
Depth (mm)	300
Total max height(mm)	221,5
Total min height(mm)	221,5
Outlet Diameter (mm)	150/125
<b>Characteristics</b>	
Motor	K9DC
Extraction Levels	3+1
Motor Maximum Power Consumption	55
Maximum Pressure	243
Intensive Speed (TURBO) Pressure	362
Control Type	TC TFH4i
Automatic shut-down timer	√
Electronic Filter Saturation Indicator	√
Filter Type	Metallic
Anti-grease Filter Number	2
Inner Shield	-
<b>Lighting</b>	
Light Type	SS Led
Adjustable Intensity Lighting	√
N° of Lamps	1
<b>Installation</b>	
Minimum height distance to a electric worktop hob (mm)	550
Minimum height distance to a gas worktop hob (mm)	650
Installation with Outlet tube to the exterior / Recirculating	BOTH
Easy Installation System	√
<b>Electric Connection</b>	
Total Rush Power (W)	
Rated Voltage (V)	220-240
Network Frequency (Hz)	50
Electrical Insulation Class	CLASS I
Plug	-
<b>Accessories</b>	
Upper Decorative tube Extension	-
White Decorative Tube	-
Black Decorative Tube	-
Island Tube Enhancer	-
Check Valve	02832004
MAX PRO Metal Filter	-
Metal Filter	02825279
DUAL Filter (metal + active charcoal)	-
Active Charcoal Filter	02859394
Noiseless Flexible Duct	02893002